

Convolutated PTFE Hose Type T6400



Applications

FlexTech PTFE hoses are designed to meet the stringent temperature, pressure and vacuum service applications found in food, pharmaceutical, medical, beverage and dairy product application. Our PTFE hoses are very versatile and highly recommended for critical applications in many other industries including:-

- Food handling and production
- Fluids associated with high temperatures
- Petrochem & specialist chemical transferee
- Bottle filling
- De-ionised water transfer
- Beverage service, handling and production
- Conveyance of cosmetic solutions
- Fluids associated with pharmaceutical and bio-medical transfer and production
- Production of dairy products
- Compensation of vibrations and pipe work misalignment within a production line

Please contact the FlexTech sales team details concerning your particular application.

'Bespoke Assemblies'

FlexTech also manufacture a comprehensive range of Silicone, Rubber and Metallic hose assemblies. Please contact the sales office for more details.



PTFE - Convolutated Hose Assemblies

T6400 PTFE Hose

Available with both crimped or tafted connections.

The hose is constructed from a helically convoluted PTFE (Polytetrafluorethylene) tube which is suitable for working pressures up to 170 Bar and a maximum operating temperature of +260°C.



Design and installation Guides...

FlexTech's PTFE hoses may be flexed in accordance with one or a combination of motions as described in our installation guides.

It is important to calculate the length of hose that will not be flexed below the minimum bend radius to obtain optimum reliability - please contact our sales office for further details.

- Manufactured to ISO 9002 Quality Standards
- US - 21 CFR 177.1550 FDA compliant
- Hygienic connections from grade 316L stainless steel with surface finish of 0.8µm, M Ra. minimum. Polished ends to order.

Convolutated PTFE Hose Type T6400



Technical Information

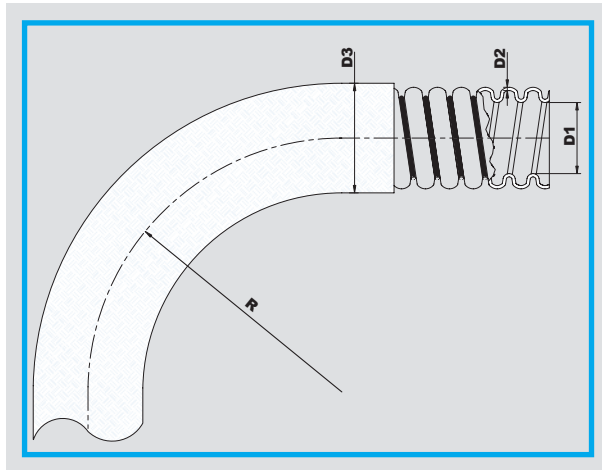
T6400 PTFE Hose...

Is a helically convolutated heavy wall PTFE hose available in virgin or antistatic grade which meets the requirements of 21 CFR 177.1550 FDA.

Temperature range from -70°C to + 260°C.

Vacuum rating up to 947 mbar at 20°C.

Antistatic quality with resistance of <math><10^7</math> Ohms as recommended in BS2050 (1978)



Size	D1		D2	D3		R		Pressure Ratings (BAR)				Vacuum mbar	Weight	
	Size (mm)			Size (mm)		Radius		Working		Burst			gr/mtr	
	Min	Max	Wall (mm)	Min	Max	St/St Braided	Polyprop Braided	St/St Braided	Polyprop Braided	St/St Braided	Polyprop Braided		St/St Braided	Polyprop Braided
1/4"	5.5	6.9	0.52	9.9	11.5	25	N/A	35	N/A	170	40	744	80	N/A
3/8"	8.5	10.5	0.62	13.2	14.7	25	N/A	35	N/A	170	40	744	123	N/A
1/2"	11.6	13.6	0.82	12.9	14.4	25	50	50	10	250	40	887	140	130
5/8"	15.1	16.4	0.88	16.2	17.5	35	65	35	10	170	40	887	160	240
3/4"	19.5	20.5	1.00	28.6	31.4	55	55	60	10	290	40	887	390	340
1"	24.5	25.5	1.10	34.2	38.2	85	85	40	10	210	40	887	540	460
1 1/4"	31.5	32.5	1.15	41.9	46.1	100	100	45	10	210	40	887	680	570
1 1/2"	36.5	37.5	1.45	47.2	49.9	120	120	40	10	175	40	887	1110	710
1 3/4"	44.5	45.5	1.45	55.8	61.4	135	135	25	10	135	40	887	1650	1050
2"	49.5	50.5	1.50	60.5	66.7	165	165	25	10	135	40	887	1710	1150
2 1/2"	62.5	63.5	1.60	80.9	89.1	230	230	14	7	60	28	887	2140	2140
3"	73.5	74.5	1.60	90.4	99.6	260	260	12	6	65	24	887	3310	3310
4"	94.5	99.5	1.82	121.1	127.5	300	N/A	10	N/A	40	N/A	887	4050	N/A
6"	150.0	154	2.5	179.0	189	520	N/A	6	N/A	24	N/A	554	5550	N/A

NOTE:

Temperature Range:- for Polypropylene Braided Hoses -70°C +90°C

Vacuum Rating :- Increases to 947 mbar with vacuum wire with stainless steel over braid

All information calculated at 20°C - Pressure drop decreases by 1% for every 1°C increase in temperature